

Stay safe.

RESiSecurity

NVR Recorder



Model
RESI-NVR08SR

Features

- Support Ultra 265/H.265/H.264 video formats
- 08-channel input
- Plug & Play with 8 independent POE network interfaces
- Support mainstream cameras of ONVIF conformance (Profile S, Profile G, Profile T) and RTSP protocols
- Support 1-ch HDMI, 1-ch VGA, HDMI at up to 4K(3840x2160) resolution
- HDMI and VGA simultaneous output
- Up to 4K resolution recording
- 1 SATA HDD up to 10TB
- Support cloud upgrade

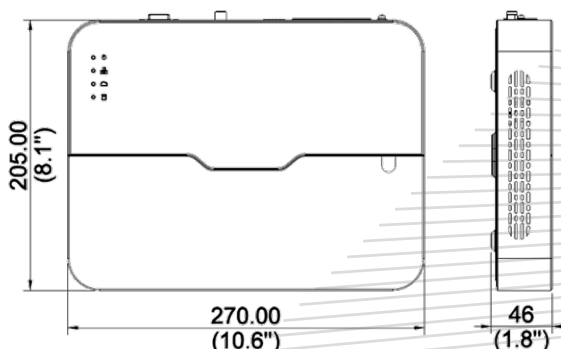


►► NVR Specifications

IP Video Input	08-ch
Incoming Bandwidth	64Mbps
Outgoing Bandwidth	48Mbps
Remote Users	128
Protocols	TCP/IP, P2P, UPnP, NTP, DHCP, PPPoE, HTTP, HTTPS, DNS, DDNS, SMTP

High-Performance 4K NVR

The NVR supports up to 08 channels and records in 4K, with easy setup via 8 POE ports and compatibility with ONVIF cameras.



RESiSecurity

resisecurity.com

©2024- All rights reserved.
Product specifications and availability
subject to change without notice.

Stay safe.

RESiSecurity

NVR Recorder

Model
RESI-NVR08SR

▶▶ Video/Audio Output

HDMI/VGA Output	HDMI: 4K(3840x2160)/30Hz, 1920x1080/60Hz, 1920x1080/50Hz, 1600x1200/60Hz, 1280x1024/60Hz, 1280x720/60Hz, 1024x768/60Hz VGA: 1920x1080/60Hz, 1920x1080/50Hz, 1600x1200/60Hz, 1280x1024/60Hz, 1280x720/60Hz, 1024x768/60Hz
Recording Resolution	4K/5MP/4MP/3MP/1080p/960p/720p/D1/2CIF/CIF
Audio Output	1-ch, RCA
Audio Compression	G.711A, G.711U
Synchronous Playback	08-ch
Live view display	1/4/6/8
Corridor Mode Screen	3/4/5/6

▶▶ Snapshot, Decoding

Snapshot	
FTP/Schedule/Event Snapshot	1-ch snapshot, up to D1 resolution
Decoding	
Decoding format	Ultra 265/H.265/H.264
Live view/Playback	4K/5MP/4MP/3MP/1080p/960p/720p/D1/2CIF/CIF
Capability	1x 4K@30, 4x 5MP@25, 4x 4MP@25, 4x 3MP@25, 4x 1080p@30, 8x 720p@30, 16x D1@25

▶▶ Hard Disk, Smart

HardDisk	
SATA	1 SATA interface
Capacity	up to 6TB for each disk
Smart	
VCA Search	Behavior Search
Smart Intrusion Prevention (SIP) by Camera	4-ch(supports channel 1-4; Alarm only, no image)

▶▶ Interface

External Interface	
Network Interface	1 RJ45 10M/100M self-adaptive Ethernet Interface
USB Interface	Rear panel: 2 x USB2.0
RS232	NA
RS485	NA
Alarm In	NA
Alarm Out	NA



+info

RESiSecurity

resisecurity.com

©2024- All rights reserved.

Product specifications and availability subject to change without notice.

Stay safe.

RESiSecurity

NVR Recorder

Model
RESI-NVR08SR

▶▶ General Alarm

General Alarm	Motion, Tampering, Video Loss, Alarm Input
Alert Alarm	IP Conflict, Network Disconnected, Disk Offline, Disk Abnormal, Illegal Access, Hard Disk Space Low, Hard Disk Full, Recording/Snapshot Abnormal

▶▶ General

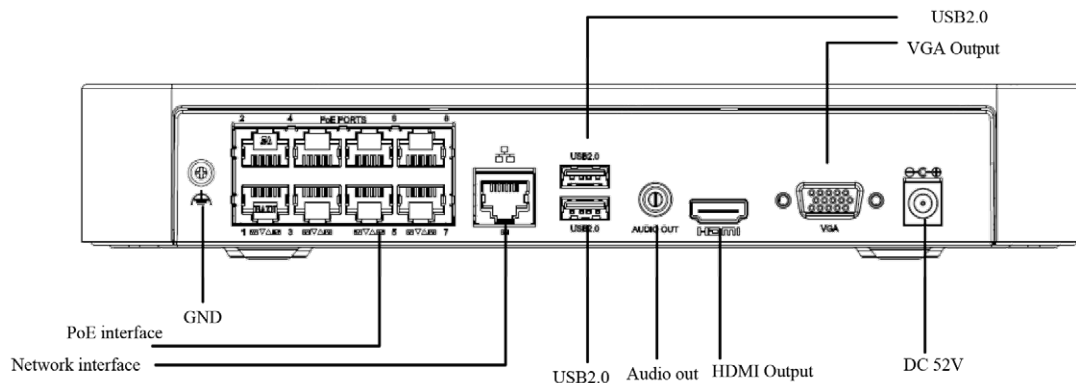
Power Supply	52V DC / Power Consumption: ≤9 W (without HDD)
Working Environment	-10°C ~ +55°C (+14°F ~ +131°F), Humidity ≤ 90% RH (non-condensing)
Dimensions (W×D×H)	270mm × 205mm × 46mm (10.6"×8.1"×1.8")
Weight (without HDD)	≤0.8 kg (1.76 lb)

▶▶ PoE

Interface	8 RJ45 10M/100M self-adaptive Ethernet Interface
Max Power	Max 30W for single port / Max 75W in total
Supported Standard	IEEE 802.3at, IEEE 802.3af

▶▶ Certification

Certification	CE, FCC, UL, ROHS, WEEE
CE	EN 55032: 2015, EN 61000-3-3: 2013, EN IEC 61000-3-2: 2019, EN 55035: 2017
FCC	Part15 Subpart B, ANSI C63.4



+info

RESiSecurity

resisecurity.com

©2024- All rights reserved.
Product specifications and availability
subject to change without notice.